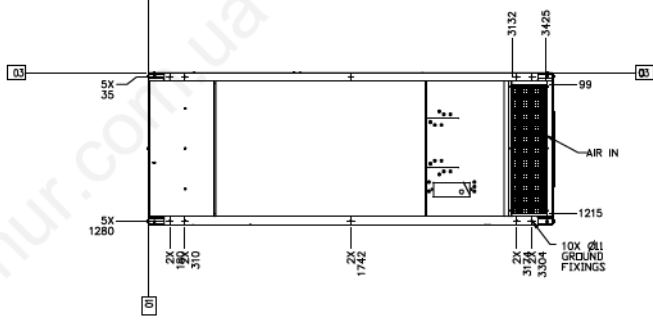
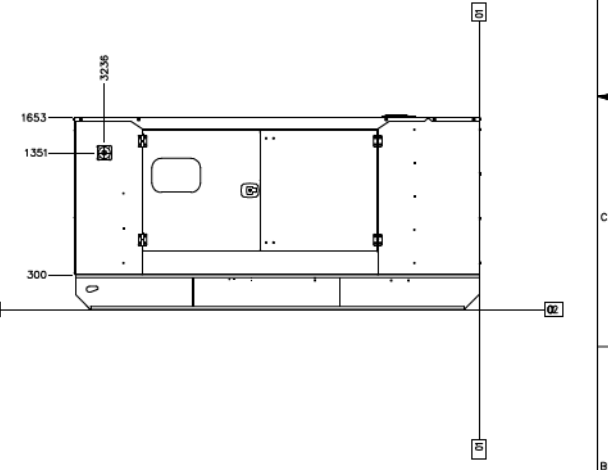
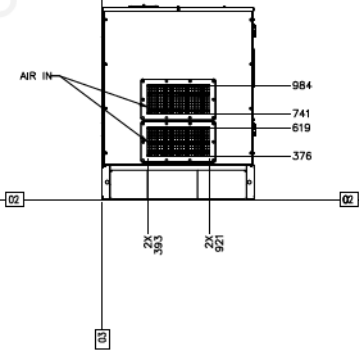
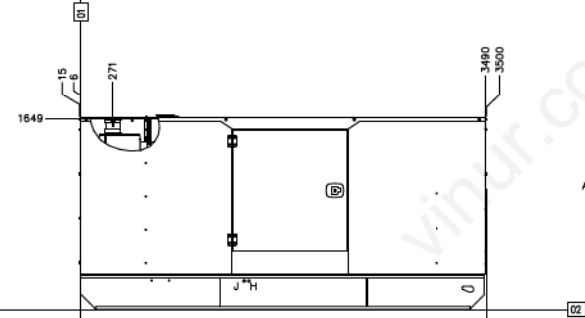
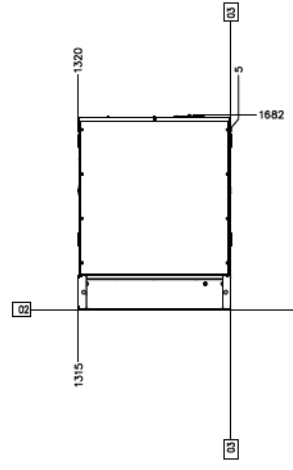
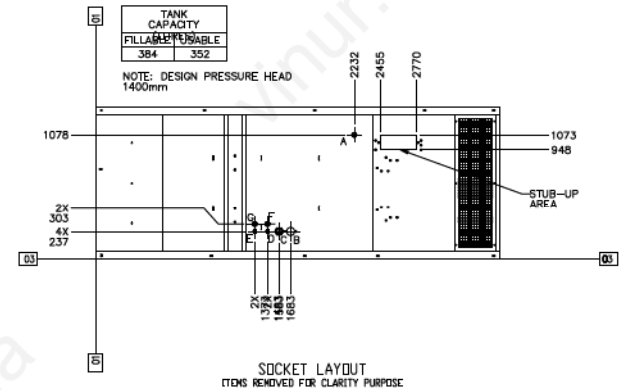
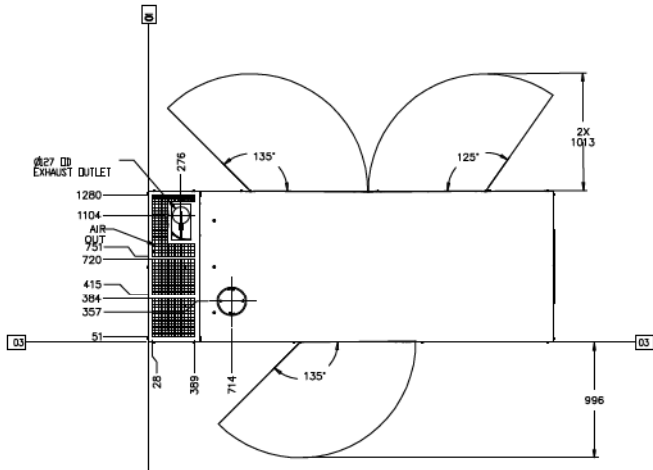


GENSET MODEL	ENGINE MODEL	ALTERNATOR MODEL	WEIGHT			SKID WEIGHT		TANK CENTER OF GRAVITY FROM O1	SKID CENTER OF GRAVITY FROM O1
			WITH OIL & WATER (kg)	WITH OIL & WATER (kg)	OIL WATER & WATER (kg)	WITH OIL (kg)	WITH OIL & WATER (kg)		
MARELLI ALTERNATOR									
P200-3	1106A-70TAG3	MJB250MB4	2062	2089	1763	1964	1991	TBC	TBC
P220-3	1106A-70TAG4	MJB250LA4	2132	2159	1833	2034	2061	1870	TBC
LEROY SOMER ALTERNATOR									
P200-3	1106A-70TAG3	LL5014D	2057	2084	2410	1959	1986	TBC	TBC
P220-3	1106A-70TAG4	LL5014F	2097	2124	2450	1999	2026	TBC	TBC

METRIC 449-5890

SOCKET	DESCRIPTION	SIZE
A	FUEL LEVEL SWITCH	1" BSPP
B	FUEL FILL	2" BSPP
C	FUEL GAUGE	1 1/2" BSPP
D	FUEL SUPPLY	1 1/2" BSPP
E	FUEL RETURN	1 1/2" BSPP
F	REMOTE SUPPLY	1" BSPP
G	REMOTE RETURN	1" BSPP
H	SKID FUEL SUPPLY	1 1/2" BSPP
J	SKID FUEL RETURN	1 1/2" BSPP



REV																	
NO																	
1E2722B DRAWING																	
1E019BW LETTERS																	
1E0013Y CONFIDENTIALITY																	
1E0012A INTERPRETATION																	
1E0011 INTERP & CONFIDENTIALITY																	
YETI (www.yeti.com)																	
VALLEY ENGINEERING SPECIFICS																	
<table border="0"> <tr> <td>DATE</td> <td>ISSUED</td> <td>PROJECT</td> <td>PROJECT</td> <td>PROJECT</td> <td>PROJECT</td> </tr> <tr> <td></td> <td></td> <td></td> <td></td> <td></td> <td></td> </tr> </table>						DATE	ISSUED	PROJECT	PROJECT	PROJECT	PROJECT						
DATE	ISSUED	PROJECT	PROJECT	PROJECT	PROJECT												
<small>THIS DRAWING IS THE PROPERTY OF VALLEY ENGINEERING SPECIFICS. IT IS TO BE USED ONLY FOR THE PROJECT AND SITE SPECIFICALLY IDENTIFIED HEREON. IT IS NOT TO BE REPRODUCED OR TRANSMITTED IN ANY FORM OR BY ANY MEANS, ELECTRONIC OR MECHANICAL, WITHOUT THE WRITTEN PERMISSION OF VALLEY ENGINEERING SPECIFICS.</small>																	
GENERAL AIR-GENSET																	
449-5890																	

ALL DIMENSIONS ARE REFERENCE