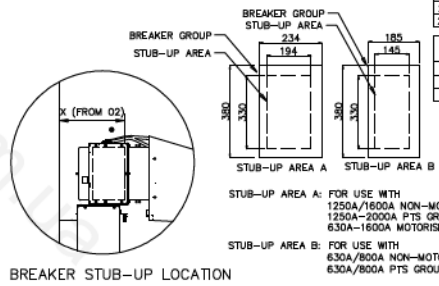


PICTORIAL VIEW

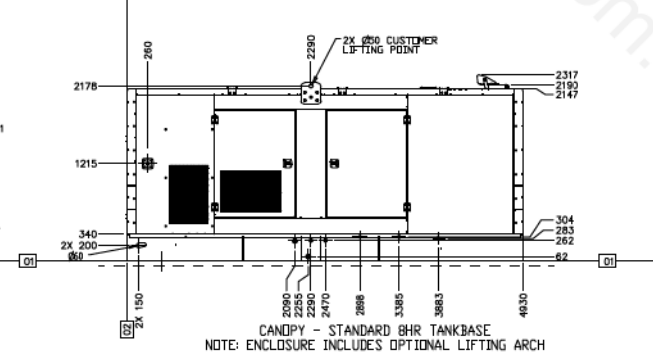
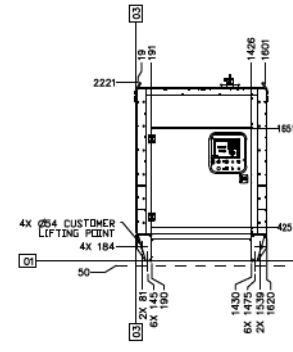
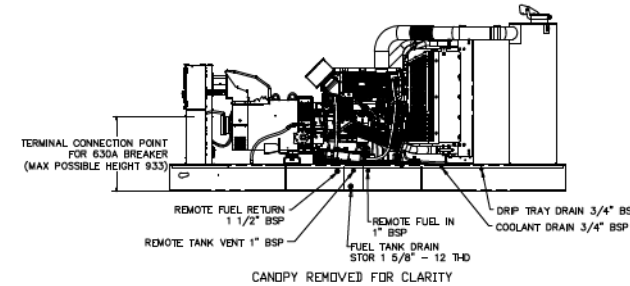
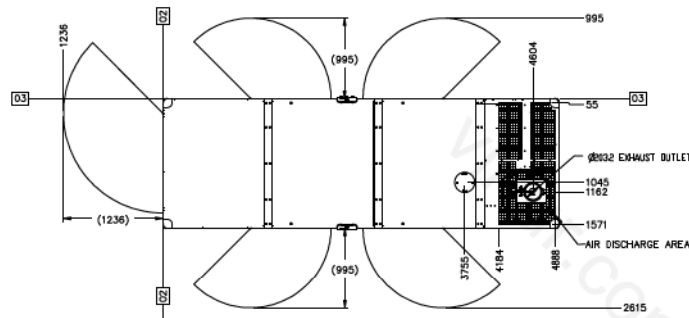
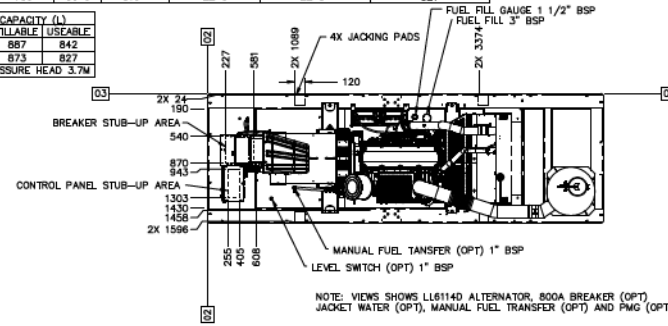


BREAKER STUB-UP LOCATION

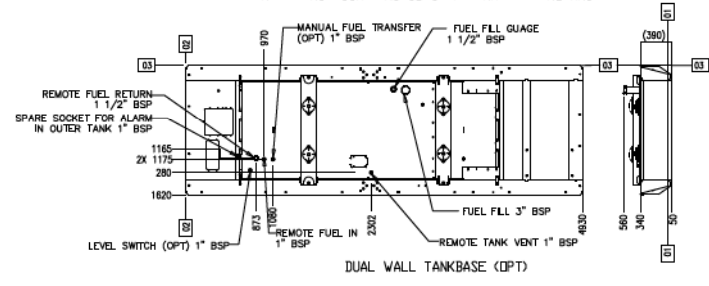
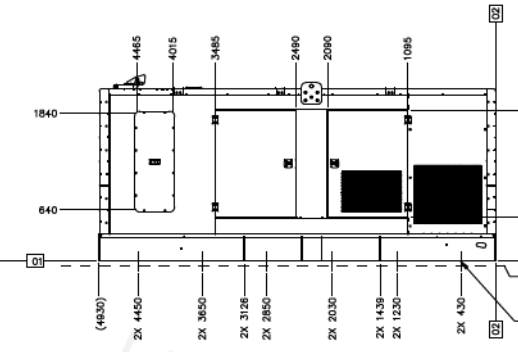
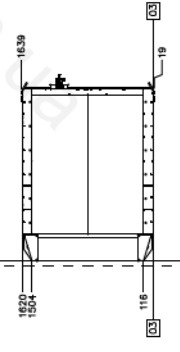
ENG / ALT OPTION	MASS (KG)		DUAL WALL MASS (KG)		CENTER OF GRAVITY FROM O2	DUAL WALL CENTER OF GRAVITY FROM O2	STUB UP AREA POSITION FROM O2 (X)
	WITH OIL/OIL & WATER	WITH OIL & WATER	WITH OIL/OIL & WATER	WITH OIL & WATER			
2206 / LL6114B	4597	4655	4921	4979	2271	2275	581
2206 / LL6114C	4609	4667	4933	4991	2269	2272	581
2206 / LL6114D	4722	4780	5046	5104	2240	2245	521

TANK BASE	TANK CAPACITY (L)
STANDARD	932 867 842
DUAL WALL	919 873 827

NOTE: DESIGN PRESSURE HEAD 3.7M



CANDY - STANDARD BHR TANKBASE
NOTE: ENCLOSURE INCLUDES OPTIONAL LIFTING ARCH



1E2722A	DRAWING
1E001Y	CONFIDENTIALITY
1E0198R	LETTERS
1E0507B	IDENT
1E0011	INTPR & TOL
1E0011	Confidential Yellow
PREPARED BY: [Name]	
CHECKED BY: [Name]	
APPROVED BY: [Name]	
DATE: [Date]	
PROJECT: [Project Name]	
DRAWING NO: [Drawing No]	
REV: [Revision]	