

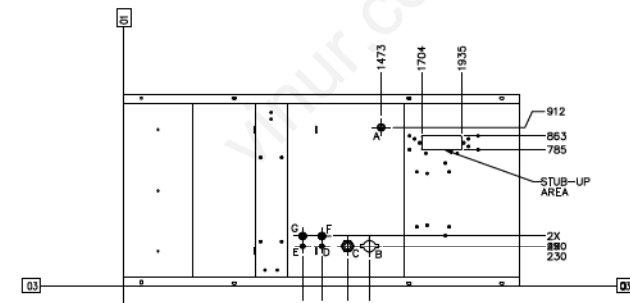
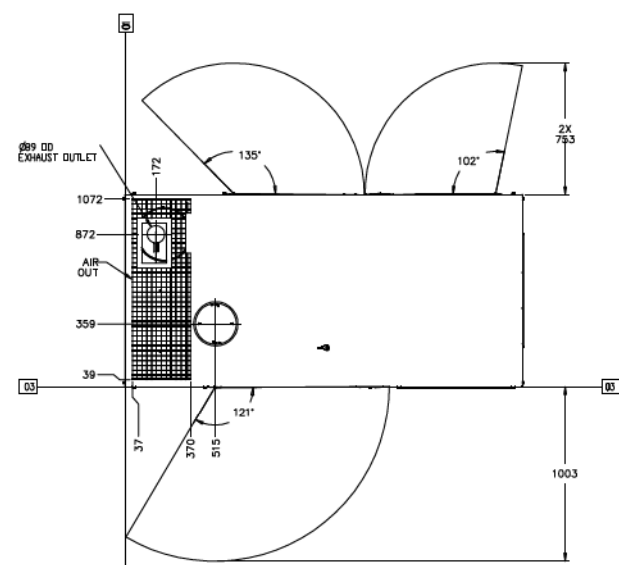
GENSET MODEL	ENGINE MODEL	ALTERNATOR MODEL	WEIGHT			SKID WBGHT		TANK CENTER OF GRAVITY FROM 01	SKID CENTER OF GRAVITY FROM 01
			WITH OIL (kg)	WITH OIL & WATER (kg)	OIL, WATER & FUEL (kg)	WITH OIL (kg)	WITH OIL & WATER (kg)		
<b>MARLETTI ALTERNATOR</b>									
P88-3	1104A-TG2	MJB 200 LA4	1189	1202	1345	1137	1150	TBC	TBC
<b>LERROY SOMER ALTERNATOR</b>									
P88-3	1104A-TG2	LL31140	1164	1177	1320	1112	1125	TBC	TBC

TANK CAPACITY (LITRES)	
FILLABLE	USABLE
188	169

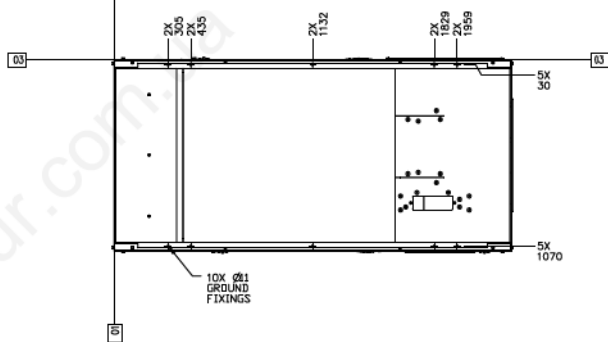
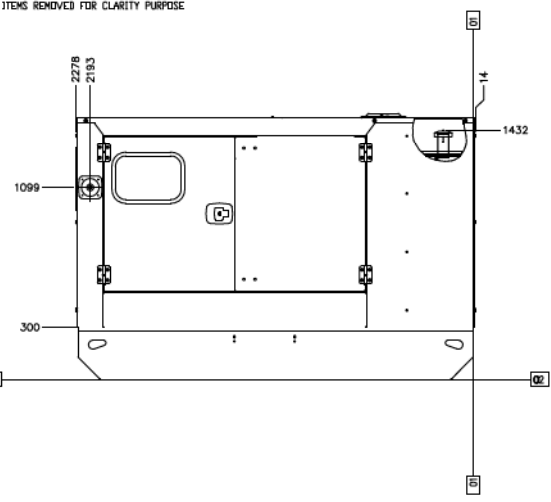
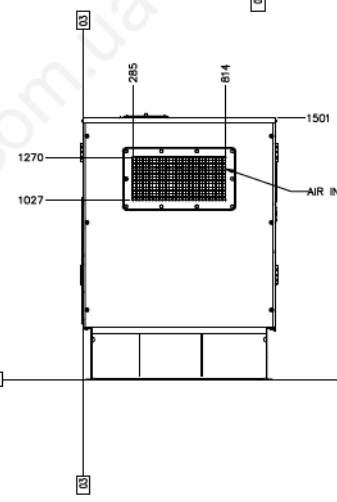
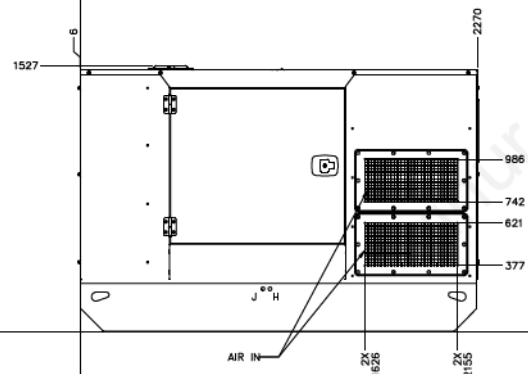
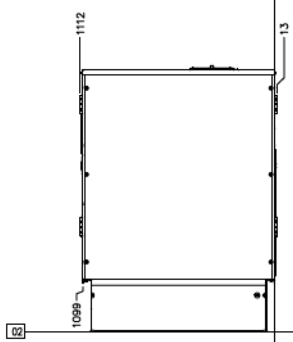
NOTE: DESIGN PRESSURE HEAD  
1400 mm

**METRIC 449-5887**

SOCKET	DESCRIPTION	SIZE
A	FUEL LEVEL SWITCH	1" BSPP
B	FUEL FILL	3" BSPP
C	FUEL GAUGE	1 1/2" BSPP
D	FUEL SUPPLY	1/2" BSPP
E	FUEL RETURN	1/2" BSPP
F	REMOTE SUPPLY	1" BSPP
G	REMOTE RETURN	1" BSPP
H	SKID FUEL SUPPLY	1/4" BSPP
J	SKID FUEL RETURN	1/4" BSPP



SOCKET LAYOUT  
ITEMS REMOVED FOR CLARITY PURPOSE



1E2722B	DRAWING
1E0198W	LETTERS
1E0013Y	CONFIDENTIALITY
1E0012A	INTERPRETATION
1E0001	IN PR & CONFIDENTIAL
<input type="checkbox"/> UNLESS OTHERWISE SPECIFIED <input type="checkbox"/> DIMENSIONS ARE IN mm <input type="checkbox"/> DIMENSIONS ARE TO THE SURFACE <input type="checkbox"/> CHECK PRIMARY TYPE POSITION <input type="checkbox"/> TRADE MARKS <input type="checkbox"/> MANUFACTURE (SEE DRAWING)	
<b>GENERAL AIR-GENSET</b>	
<b>449-5887</b>	

ALL DIMENSIONS ARE  
REFERENCE