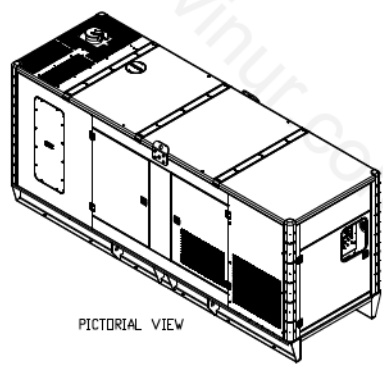


ENG / ALT OPTION	MASS (KG)		DUAL WALL MASS (KG)		CENTER OF GRAVITY FROM O2	DUAL WALL CENTER OF GRAVITY FROM O2	STUB UP AREA POSITION FROM O2 (X)
	WITH OIL/OIL & WATER	WITH OIL & WATER	WITH OIL/OIL & WATER	WITH OIL & WATER			
2206 / LL6114B	4597	4655	4921	4979	2271	2275	581
2206 / LL6114C	4609	4667	4933	4991	2269	2272	581
2206 / LL6114D	4722	4780	5046	5104	2240	2245	521

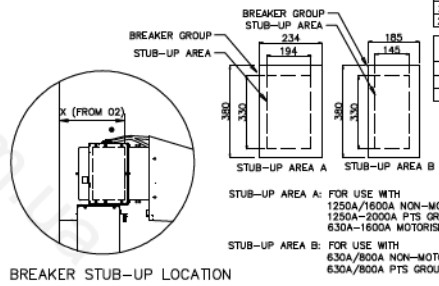
  

TANK BASE	TANK CAPACITY (L)	
	GROSS	FILLABLE / USEABLE
STANDARD	932	867 / 842
DUAL WALL	919	873 / 827

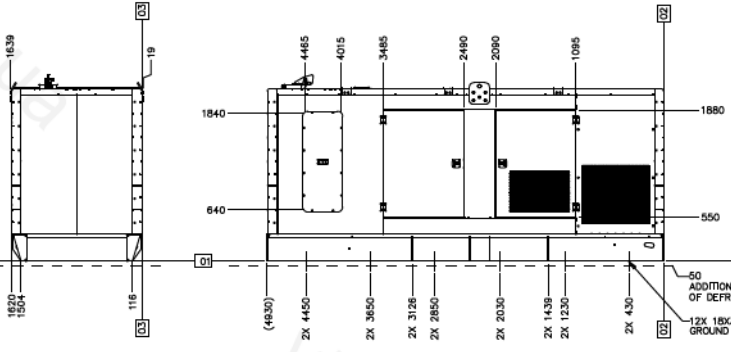
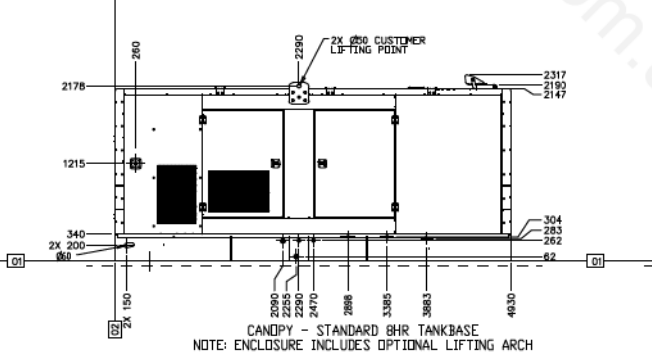
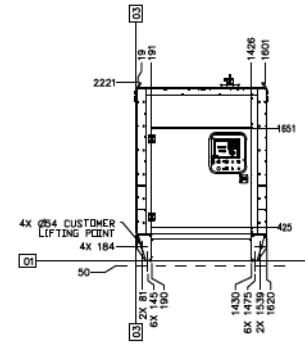
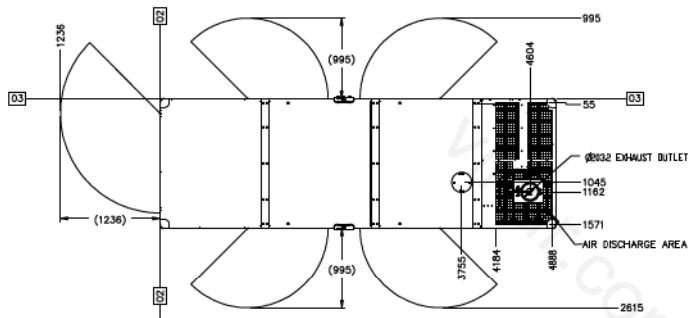
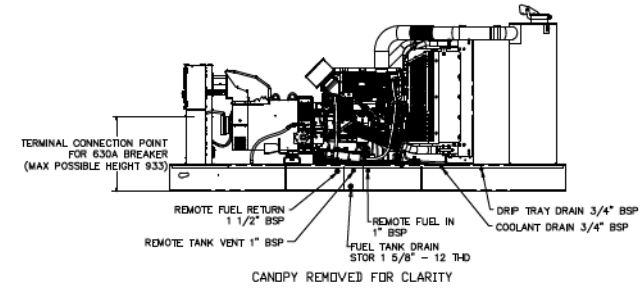
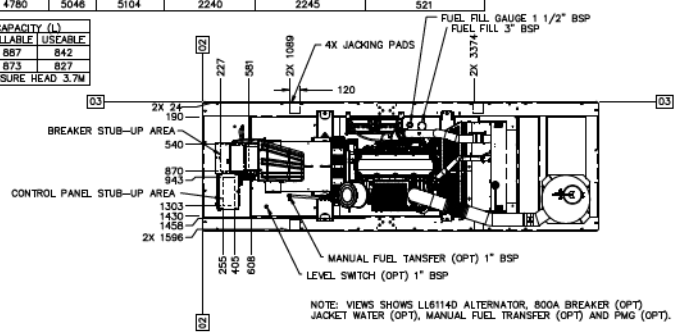
NOTE: DESIGN PRESSURE HEAD 3.7M



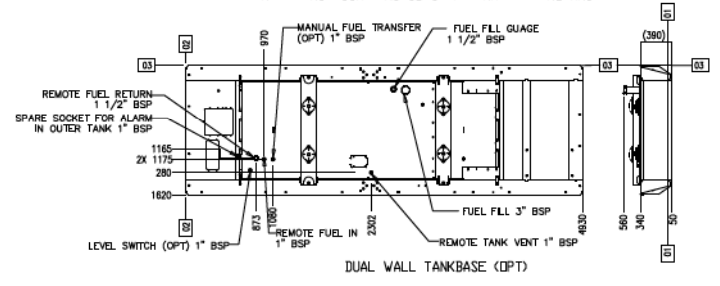
PICTORIAL VIEW



BREAKER STUB-UP LOCATION



CANDY - STANDARD BHR TANKBASE  
NOTE: ENCLOSURE INCLUDES OPTIONAL LIFTING ARCH



1E2722A	DRAWING
1E001Y	CONFIDENTIALITY
1E019BR	LETTERS
1E0507B	IDENT
1E001	INTPR & TOL
1E001	Confidential Yellow
PREPARED BY: [ ]	
CHECKED BY: [ ]	
APPROVED BY: [ ]	
DATE: [ ]	
PROJECT: [ ]	
DRAWING NO: [ ]	
REV: [ ]	
421-5221	