

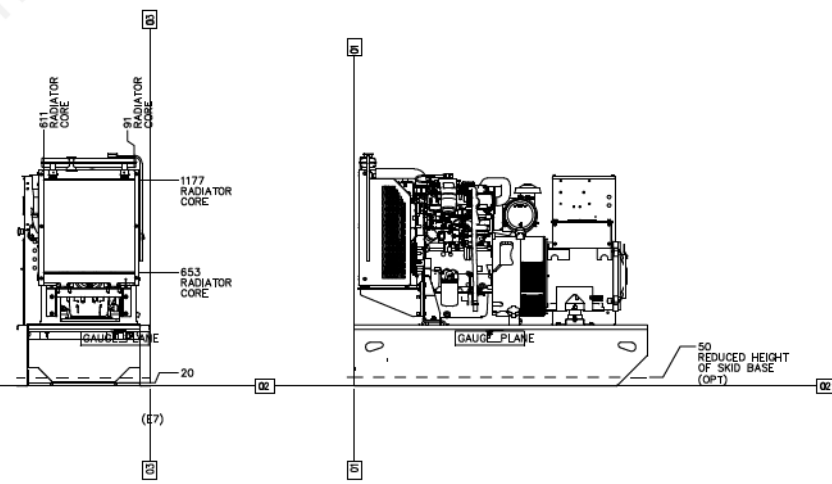
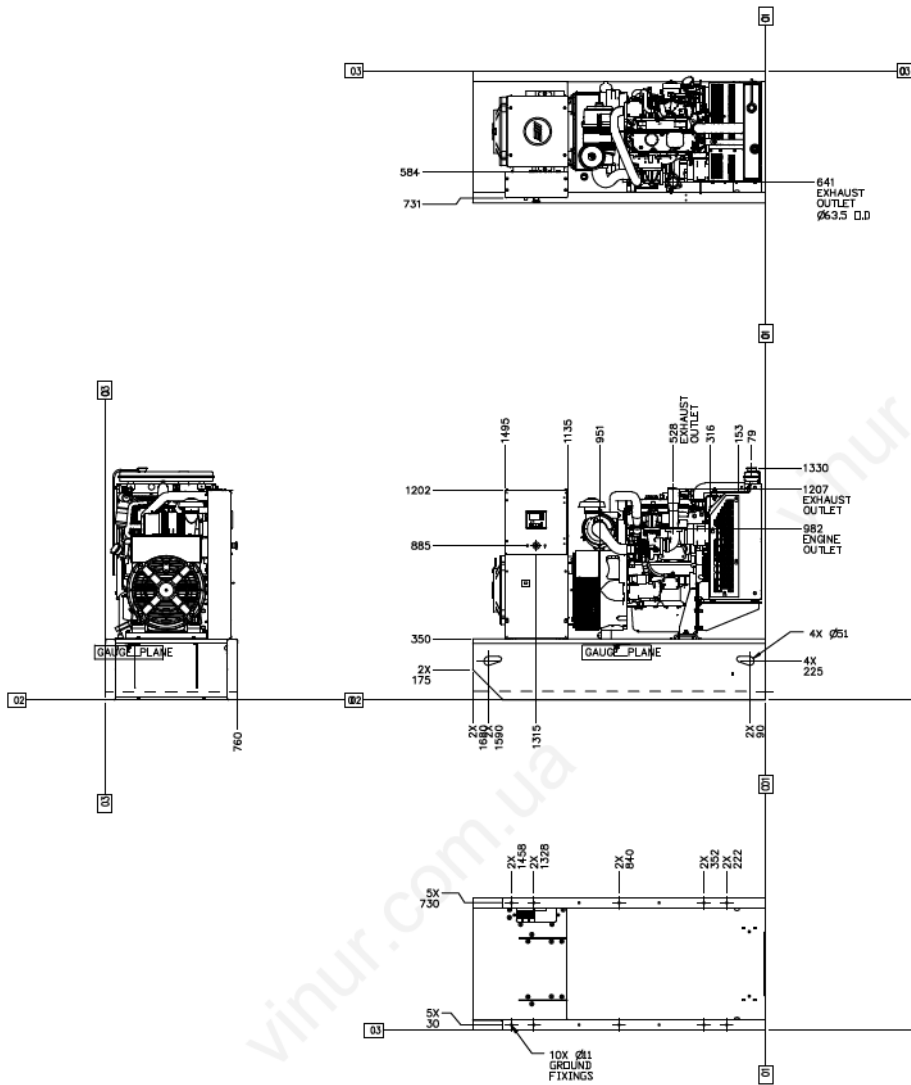
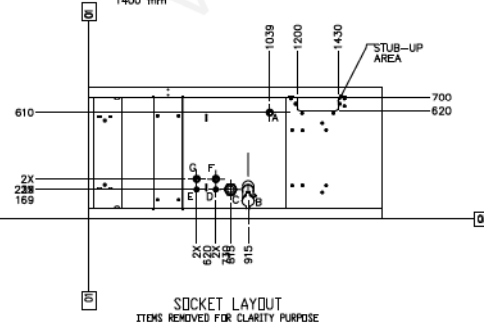
GENSET MODEL	ENGINE MODEL	ALTERNATOR MODEL	WEIGHT			SKID WEIGHT		TANK CENTER OF GRAVITY FROM 01	SKID CENTER OF GRAVITY FROM 01
			WITH OIL (kg)	WITH OIL & WATER (kg)	OIL, WATER & FUEL (kg)	WITH OIL (kg)	WITH OIL & WATER (kg)		
MARELLI ALTERNATOR									
P50-3	1103A-TG1	MJB 200 SB4	797	810	933	752	765	TBC	TBC
P50-4	1103C-TG2/3	MJB 200 SB4	789	802	925	744	757	TBC	TBC
P55-3	1103A-TG2	MJB 200 SB4	797	810	933	752	765	TBC	TBC
P65-5	1103A-TG2	MJB 200 MA4	839	852	975	794	807	845	TBC
LEROY SOMER ALTERNATOR									
P50-3	1103A-TG1	LL1514L	751	763	886	708	719	TBC	TBC
P50-4	1103C-TG2/3	LL1514L	743	755	878	700	711	TBC	TBC
P55-3	1103A-TG2	LL1514N	756	766	891	712	724	TBC	TBC
P65-5	1103A-TG2	LL1514P	767	779	902	723	735	TBC	TBC
P40-3S	1103A-TG1	LLB1514P	767	779	902	723	735	TBC	TBC
P40-4S	1103C-TG2/3	LLB1514P	758	771	894	714	727	TBC	TBC
P50-5S	1103A-TG2	LLB3114D	864	887	1010	830	843	TBC	TBC

METRIC 449-5881

SOCKET	DESCRIPTION	SIZE
A	FUEL LEVEL SWITCH	1" BSPP
B	FUEL FILL	2" BSPP
C	FUEL GAUGE	1 1/2" BSPP
D	FUEL SUPPLY	1/2" BSPP
E	FUEL RETURN	1/2" BSPP
F	REMOTE SUPPLY	1" BSPP
G	REMOTE RETURN	1" BSPP
H	SKID FUEL SUPPLY	1/4" BSPP
J	SKID FUEL RETURN	1/4" BSPP

TANK CAPACITY (LITRES)	
FILLABLE USABLE	
	145 / 136

NOTE: DESIGN PRESSURE HEAD 1400 mm



REV			
REVISIONS			
RE2722B	DRAWING		
RE0198W	LETTERS		
RE0013Y	CONFIDENTIALITY		
RE0012A	INTERPRETATION		
RE0001T	IN TPR &		
N Confederation Confidential			
Yellow X Press			
UNLESS OTHERWISE SPECIFIED		UNITED KINGDOM	PRIME X
CONSTRUCTION AND TO BE MADE		CONSTRUCTION	
PRODUCTION		PRODUCTION	
GENERAL AR-GENSET			

ALL DIMENSIONS ARE REFERENCE

449-5881